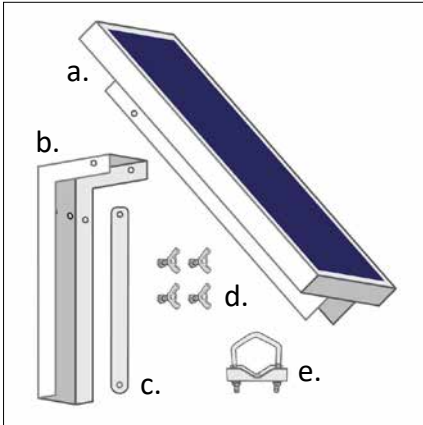




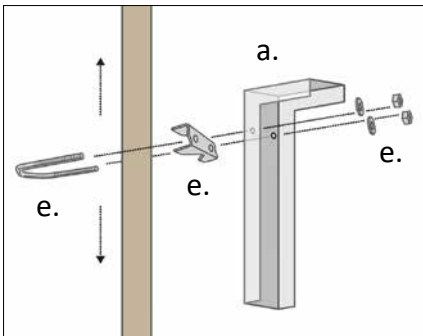
SPLM7 Solar Power Mount Installation Guide

1. Assembling SPLM7

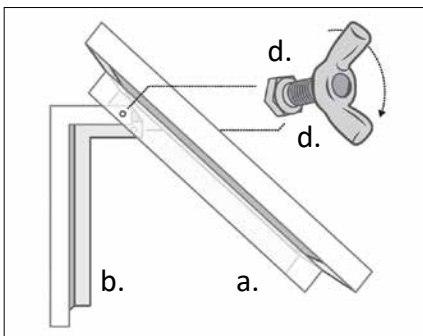


The SPLM7 kit consists of:

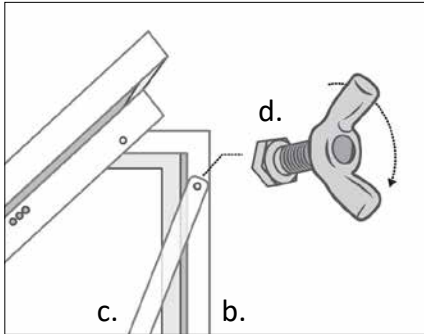
- a. 1x Solar Panel Bracket
- b. 1x SP Mounting Bracket
- c. 1x Angle Brace
- d. 4x Wing Nuts & Bolts
- e. 1x U-Bolt kit: 1x U-Bolt, 1x V-Block, 2x Washers, 2x Nuts.



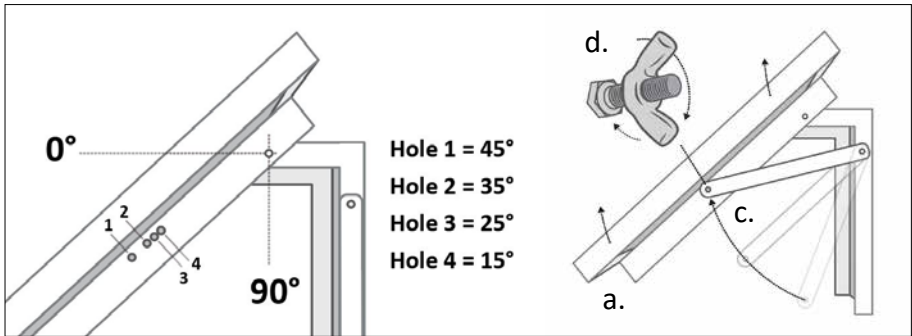
1. Attach the SP Mounting Bracket to a mounting mast using the 1x U-Bolt kit at the desired height, as shown. When the nuts are tightened, the V-Block will grip to the mounting mast at the chosen height.



2. Attach the Solar Panel Bracket to the SP Mounting Bracket: Line up the holes as shown - on both sides. Use 2x Wing Nuts & Bolts to keep these parts in place, but not fully tightened. Adjustments may be required in Step 5.



- Attach the Angle Brace to the SP Mounting Bracket: Line up the holes of these parts together, as shown. Use 1x Wing Nut & Bolt to keep it in place, but not fully tightened. Adjustments may be required in Step 5.



- Determine the latitude for the site. Select the hole with the angle that best corresponds to the latitude, as indicated above.
- Secure the Angle Brace to the Solar Panel at the selected hole with the remaining 1x Wing Nut & Bolt. Tighten all Wing Nuts & Bolts.





*Enabling better global research outcomes in soil,
plant & environmental monitoring.*